
Voltage-type Square Output High Accuracy Speed Sensor IC

1. Features

- Support zero crossing or threshold crossing
- South and North pole pre-induction possible
- Large air gap
- Single chip solution
- 3.8V~26V power supply voltage range
- -40°C to 150°C operating temperature range
- Protection against overvoltage
- Protection against reversed polarity
- AEC-Q100 Grade0 qualified.
- Package: TO-94

2. Product Application

- Crankshaft position sensor
- Speed sensor

3. Description

Differential Hall effect sensor IC SC962X has two hall induction points inside, and the magnetic field induced by it will perform differential calculation, so that the chip has high sensitivity and large detection air gap characteristics. Magnetic ring or back magnetic detection gear can be detected. It has a wide operating voltage range and operating temperature range, as well as a high EMC robustness, and passes the AECQ100 Grade0 assessment, so it is very suitable for speed detection in automobiles, such as crankshaft sensor, transmission.

The SC9621 is an output flip when the differential magnetic field is zero, and has hysteresis judgment to prevent false triggering, thus guaranteeing its excellent repeatability and reliable accuracy. If the back magnetic detects the gear, the flip point is in the center of the tooth.

The SC9625 is flipped when the differential magnetic field reaches a positive or negative threshold, resulting in excellent repeatability and accuracy. If the back magnetic detects the gear, the flip point is on the edge of the tooth.

The device is packaged in a TS-94. It is lead (Pb) free, with 100% matte tin-plated lead frame.



Fig.1 TO-94 Package Outline

CONTENTS

1. Features	1	8. Operating Characteristics	6
2. Product Application	1	9. Typical Characteristics	7
3. Description	1	10. Block Diagram	9
4. Terminal Configuration	3	11. Function Description	9
5. Ordering Information	4	12. Typical Application	11
6. Absolute Maximum Ratings	5	13. Package Information “TO-94”	12
7. ESD Protection	5	14. Revision History	13

4. Terminal Configuration

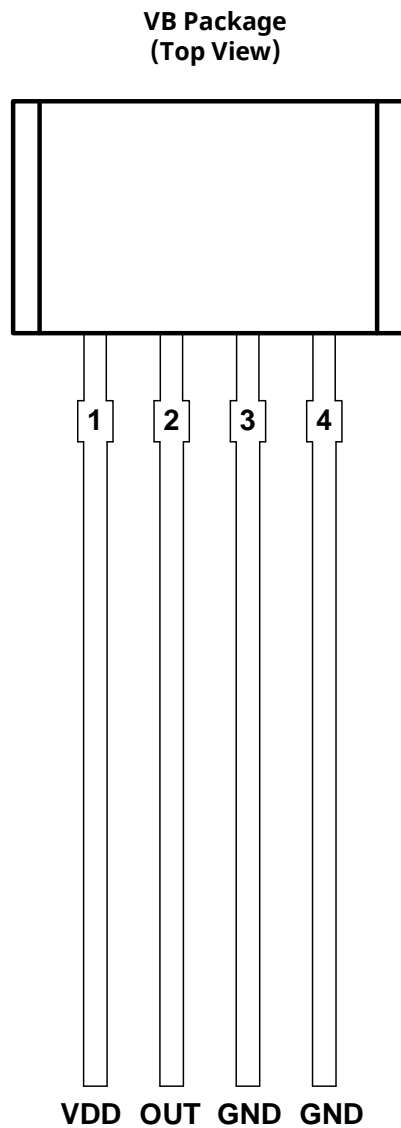


Fig.2 Pin Description

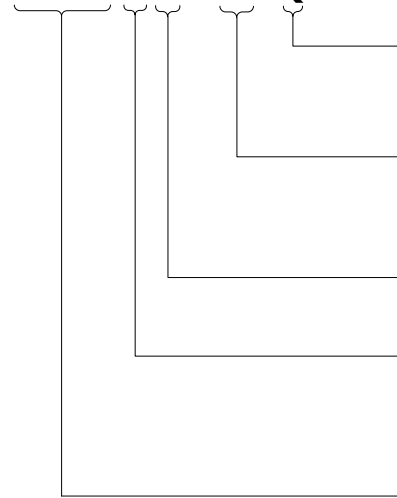
Terminal		Type	Description
Name	Number		
VDD	1	PWR	3.8V ~ 26 V power supply
OUT	2	OUT	Open-drain output required a pull-up resistor
GND	3	Ground	Ground
GND	4	Ground	Ground

5. Ordering Information

Ordering Information	Marking	Trigger mode	Class	Ambient, T _A (°C)	Package	Packing	Quantity
SC9621VB-TR-Q	9621	Zero	Q	-40 ~ 150	TO-94	Tape & reel	2000/reel
SC9625VB-TR-Q	9625	Threshold	Q	-40 ~ 150	TO-94	Tape & reel	2000/reel

Ordering Information Format

SC9621VB-TR-Q



Product Grade

Q: automotive

Packing Designation

TR: Tape & Reel

Package Designation

Option

1: Zero crossing

5: Threshold crossing

Device Family

6. Absolute Maximum Ratings

over operating free-air temperature range

Symbol	Parameter	Test conditions	Min.	Max.	Units
V_{DD}	Power supply reverse Voltage	$T_j < 150^\circ\text{C}$	-30	30	V
V_{OUT}	Output voltage	$T_j < 150^\circ\text{C}$	-0.5	30	V
I_{Sink}	Output sink current		-	40	mA
T_A	Operating ambient temperature		-40	150	$^\circ\text{C}$
T_j	Maximum junction temperature	5000h	-55	150	$^\circ\text{C}$
T_j	Maximum junction temperature	2500h	-55	160	$^\circ\text{C}$
T_j	Maximum junction temperature	1000h	-55	170	$^\circ\text{C}$
T_{STG}	Storage Temperature		-65	175	$^\circ\text{C}$

Note:
Stresses above those listed here may cause permanent damage to the device. Exposure to absolute maximum rating conditions for extended periods may affect device reliability.

7. ESD Protection

Symbol	Parameter	Test conditions	Min.	Max.	Units
V_{ESD_HBM}	HBM	Refer to AEC-Q100-002E HBM standard, $R=1.5\text{k}\Omega$, $C=100\text{pF}$	-4	+4	KV
V_{ESD_CDM}	CDM	Refer to AEC-Q100-011C CDM standard	-750	750	V

8. Operating Characteristics

over operating free-air temperature range ($V_{DD}=5V$, unless otherwise noted)

Symbol	Parameter	Test Conditions	Min.	Typ.	Max.	Units
Electrical parameters						
V_{DD}	Operating voltage	$T_J < T_{J(max)}$	3.8	5	26	V
I_{DD}	Operating supply current	$V_{DD}=3.8V$ to 26 V	2.5	3.5	4.5	mA
V_{Qsat}	Output saturation voltage	$I_Q=20mA$	-	0.15	0.4	V
I_{QL}	Output leakage current	Output state=high, $V_{OUT}<30V$	-	-	10	uA
V_{DZ}	Overvoltage protection at VDD termina	$I_{DD} = 10mA$	30	35	40	V
V_{OZ}	Overvoltage protection at OUT terminal	$V_Q = High, I_Q = 1mA$	30	35	40	V
t_{po}	Power-on time	$V_{DD}>3.8V$	-	3.8	9	ms
t_{settle}	Settle time	$V_{DD}>3.8V, f=1KHz$	-	-	50	ms
$t_{response}^{(1)}$	Response time	$V_{DD}>3.8V, f=1KHz$	3.8	-	59	ms
t_r	Output rise time	$R_{PU}=1K\Omega, C_Q=20pF$	-	-	0.2	us
t_f	Output fall time	$R_{PU}=1K\Omega, C_Q=20pF$	-	-	0.2	us
f_{cu}	Upper corner frequency	-3dB, single pole	-	-	20	kHz
f_{cl}	Lower corner frequency	-3dB, single pole	5	-	-	Hz
Magnetic Characteristics						
B_{Back}	Pre-induction		-500	-	500	mT ⁽²⁾
B_{diff}	Differential induction	$f=1KHz$	-100	-	100	mT
SC9621						
B_{OP}	Operate point	$f=1KHz, B_{diff}=5mT$	-	-	0	mT
B_{RP}	Release point	$f=1KHz, B_{diff}=5mT$	0	-	-	mT
B_{HYS}	Hysteresis	$f=1KHz, B_{diff}=5mT$	0.4	0.8	2.0	mT
SC9625						
B_{OP}	Operate point	$f=1KHz, B_{diff}$ increasing	0.3	0.45	0.6	mT
B_{RP}	Release point	$f=1KHz, B_{diff}$ decreasing	-0.6	-0.45	-0.3	mT
B_{HYS}	Hysteresis	$f=1KHz, B_{diff}=5mT$	0.6	0.9	1.2	mT
ΔB_M	Center of switch points	$(B_{OP}+B_{RP})/2$	-1	0	1	mT

Note:

(1) $t_{response} = t_{po} + t_{settle}$

(2) 1mT=10GS

9. Typical Characteristics

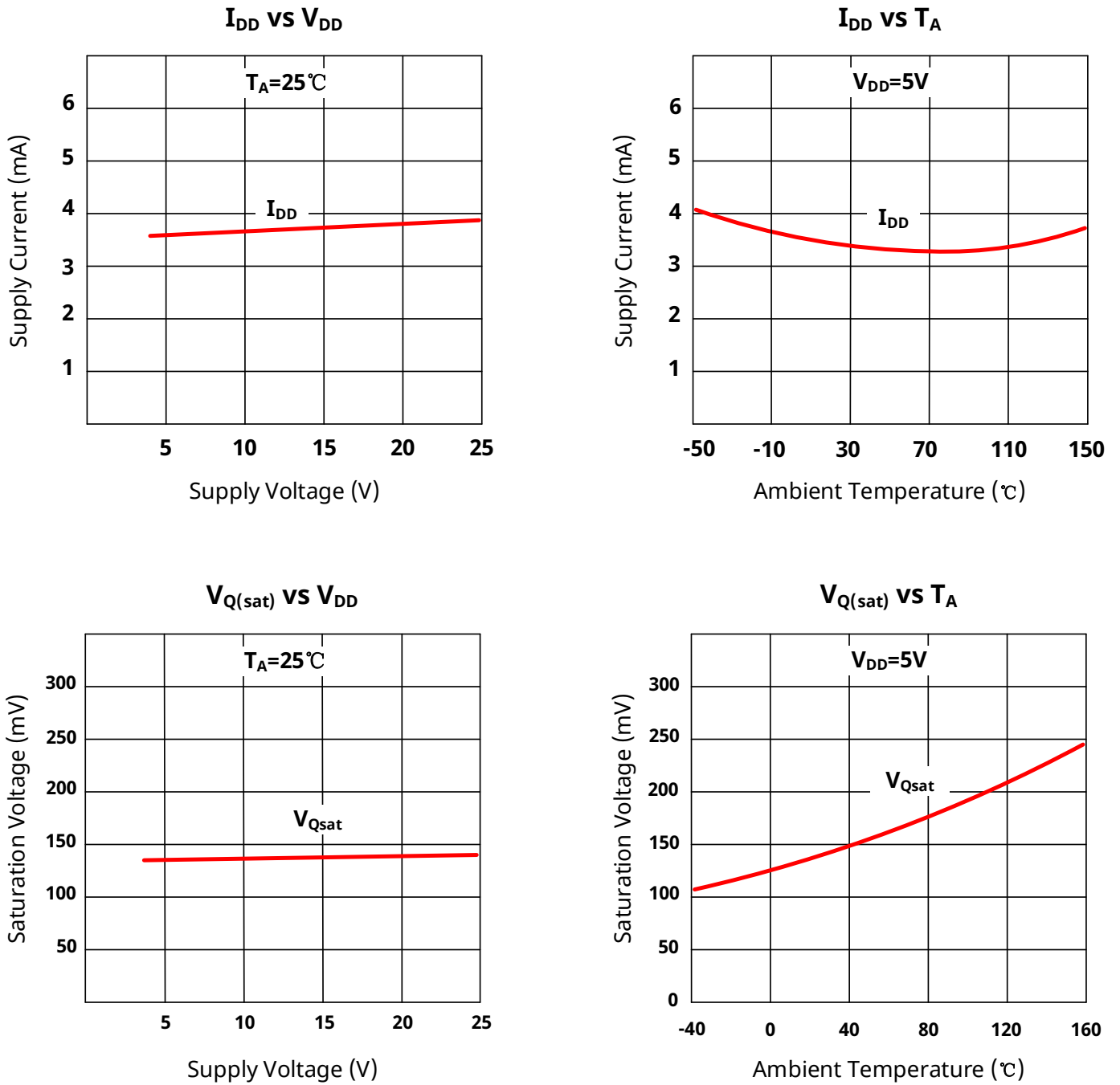
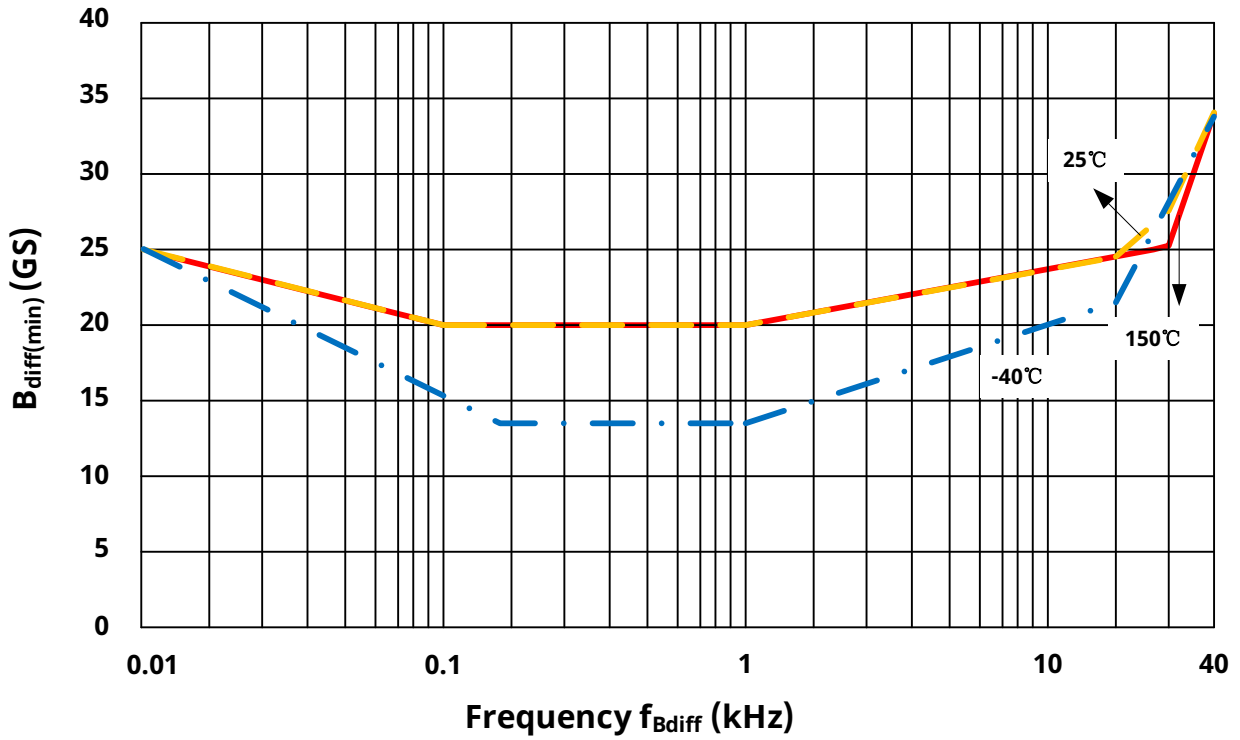


Fig.3 I_V and V_{Qsat} Characteristics

Minimum Switch Fields versus Frequency



Typical Phase Shift versus Frequency

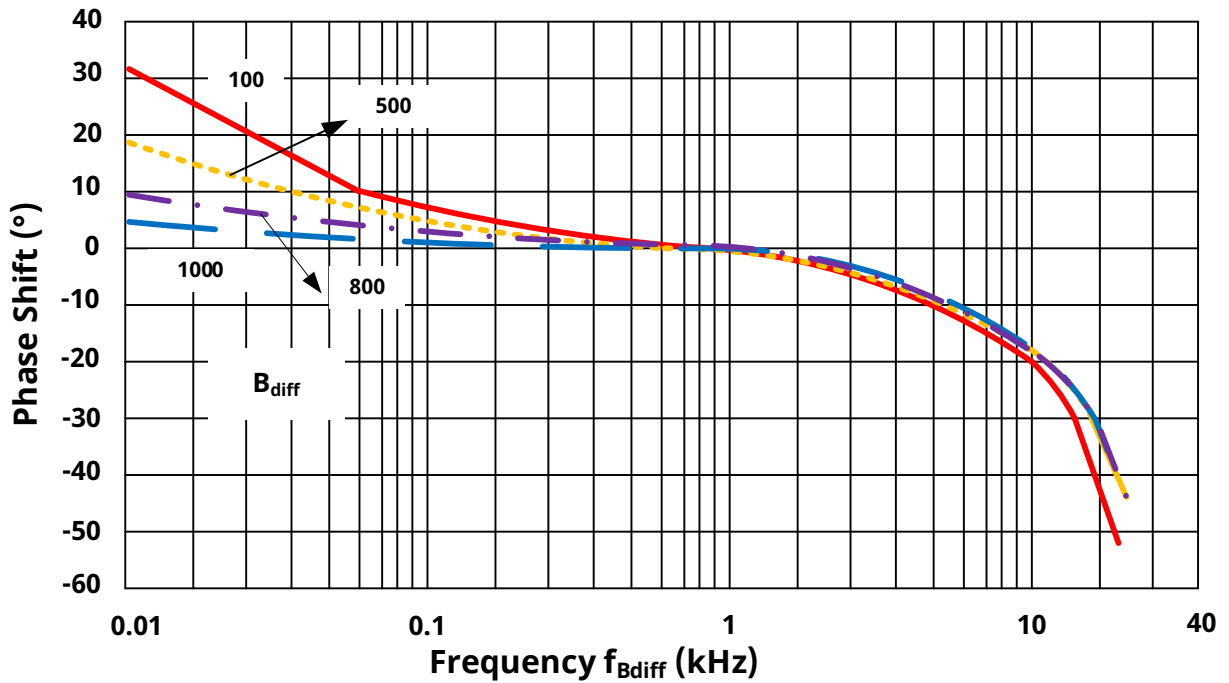


Fig.4 Differential Magnetic Characteristics

10. Block Diagram

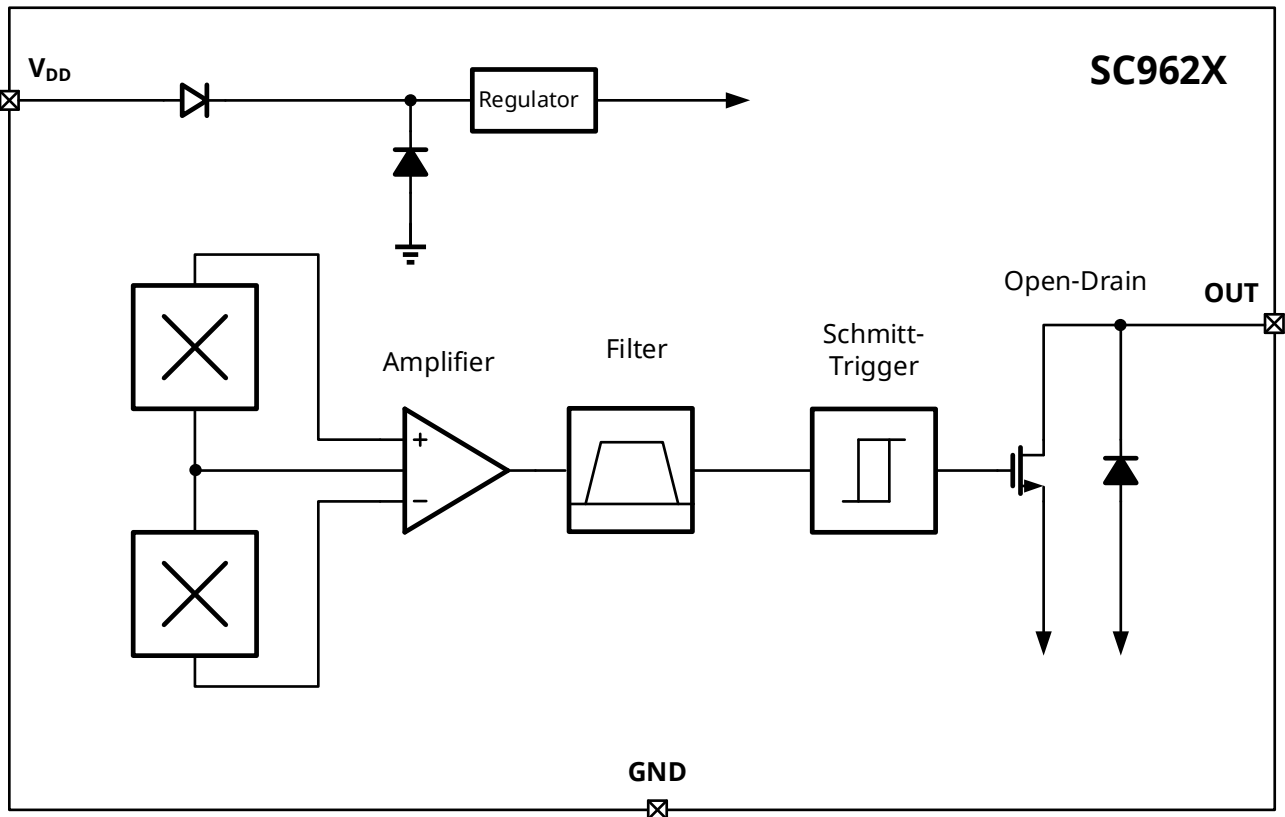


Fig.5 Block Diagram

11. Function Description

SC962X is a multi-functional, high-precision differential Hall effect chip that can be widely used to detect the movement of magnetic rings or ferromagnetic gears.

The SC962X contains two integrated Hall induction points. When the magnetic ring or ferromagnetic gear rotates, the magnetic flux received by the two Hall induction points is differentially calculated to obtain a differential magnetic field approximating sine and cosine.

The SC9621 is a zero-cross trigger, and there are two separate comparators inside the chip, both of which use the same reference point 0GS to ensure high precision, one of which is positive hysteresis B_{HYS1} and the other is negative hysteresis B_{HYS2} . Therefore, one comparator is triggered when the differential magnetic field decreases to zero, and the output turns down. The other comparator is triggered when the differential magnetic field increases past zero, and the output turns higher, as shown in Figure 6. Hysteresis on each comparator prevents false switching noise or target jitter.

SC9625 is the threshold trigger. When the differential magnetic field is detected to rise past B_{HYS1} , the output increases. When the differential magnetic field is detected to drop and pass B_{HYS2} , the output turns down, as shown in Figure 7.

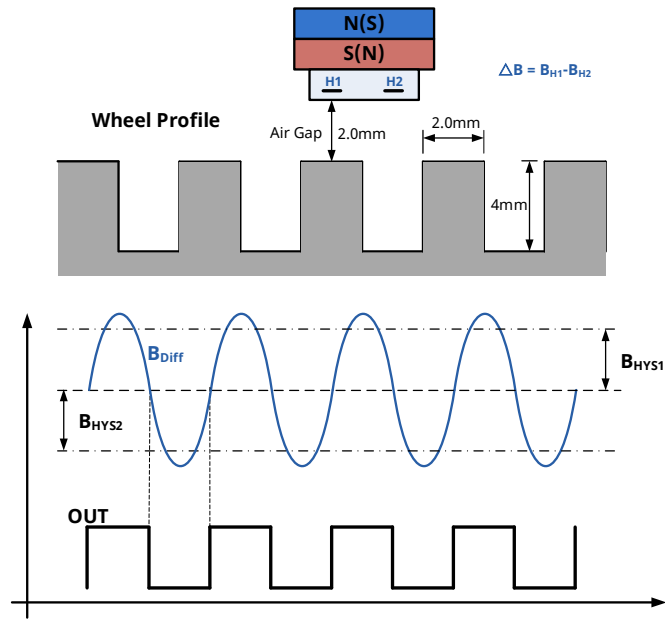


Fig.6 SC9621 Gear position-differential magnetic field-output response diagram

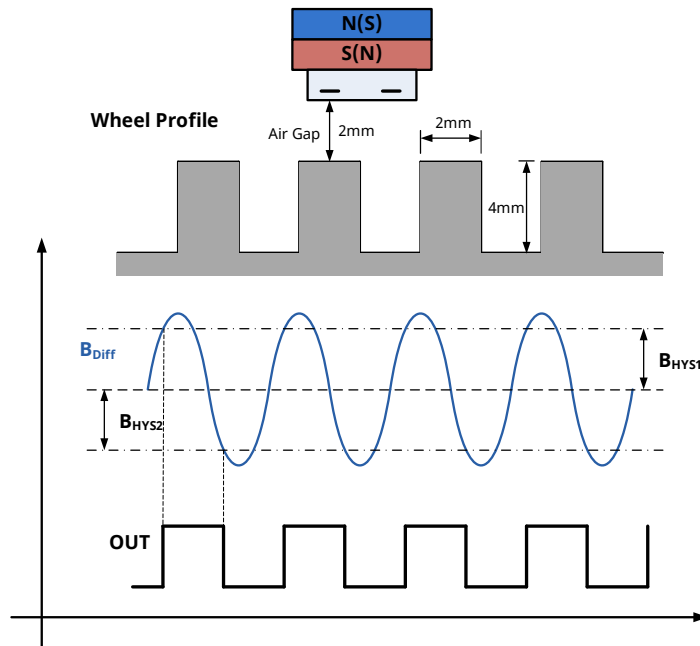


Fig.7 SC9625 Gear position-differential magnetic field-output response diagram

12. Typical Application

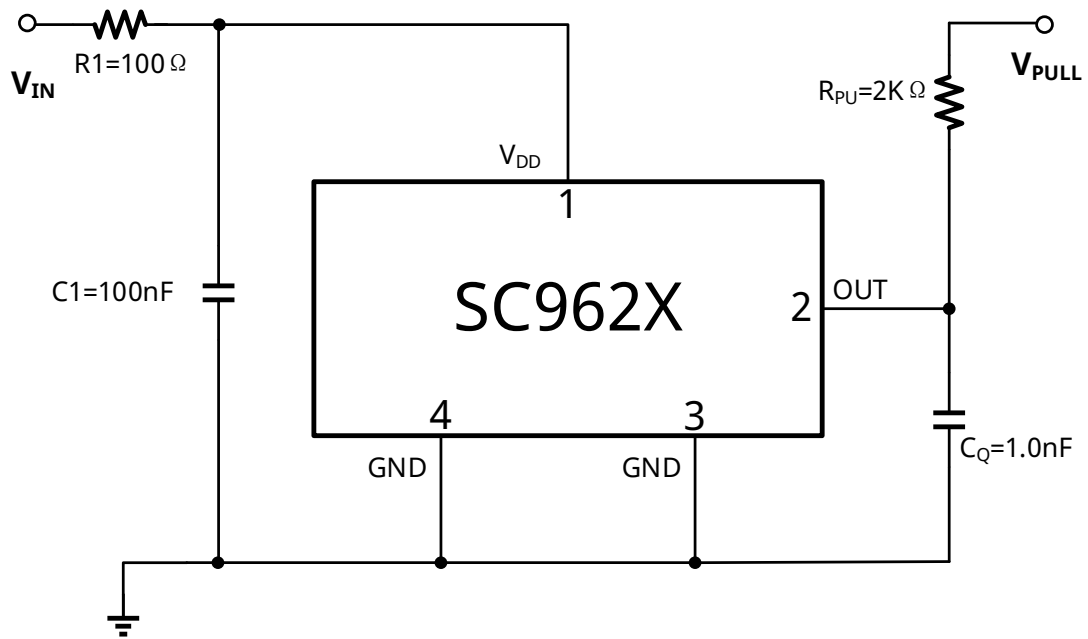
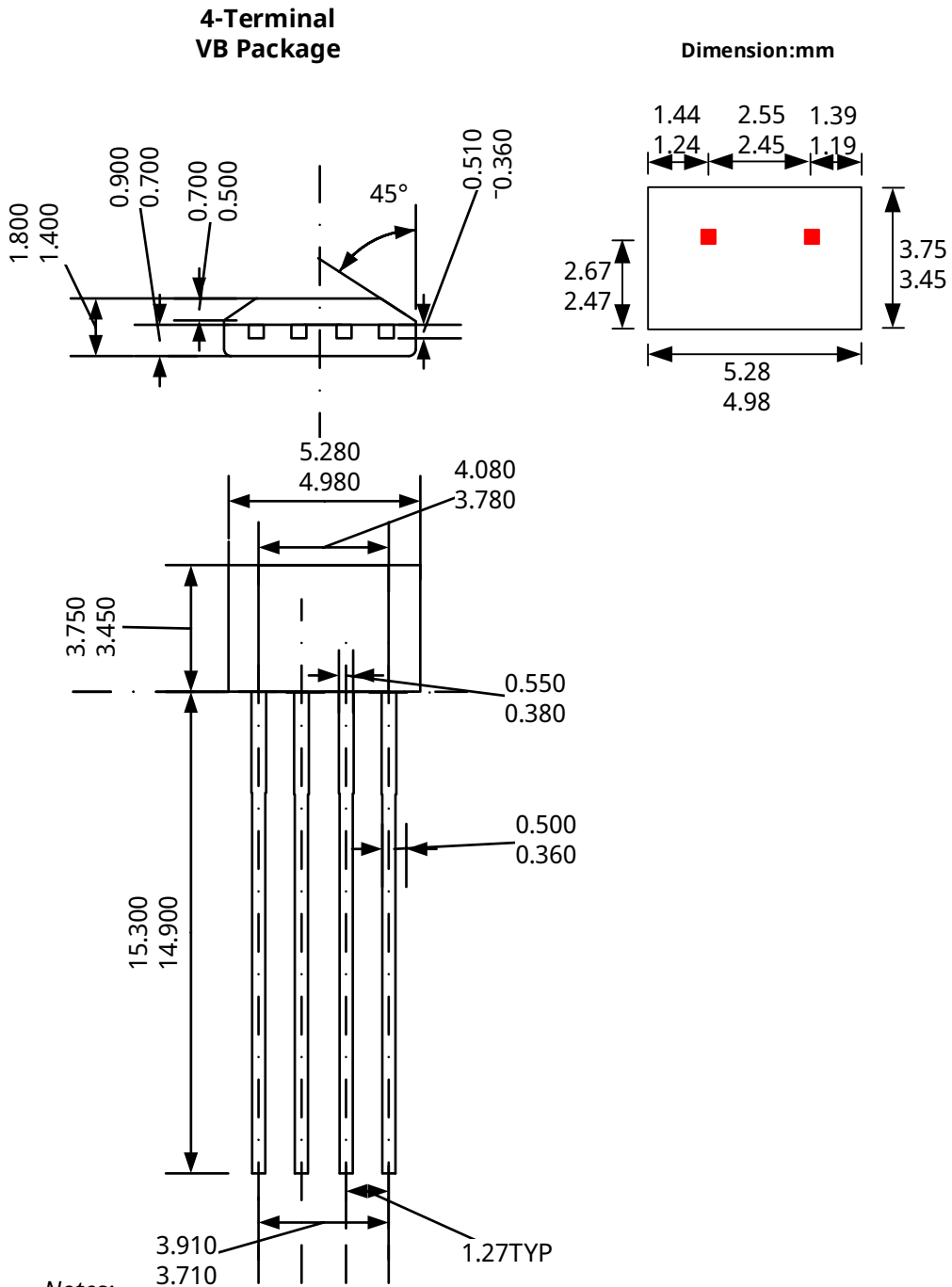


Fig.8 Typical Application

13. Package Information "TO-94"



Notes:

1. Exact body and lead configuration at vendor's option within limits shown.
2. Height does not include mold gate flash.
3. The plating thickness is 7-17um
4. Fine dimension information reference POD-TO94-231229-001

Where no tolerance is specified, dimension is nominal.

Fig.9 Package Dimensions

14. Revision History

Revision	Date	Description
Rev.0.1	2017-09-23	The old revision
Rev.2.3	2018-11-07	The final revision of old datasheet
Rev.A1.0	2020-11-19	Unified datasheet format, Separate datasheet for SC9621 and SC9625
Rev.A1.1	2025-01-24	Update ordering information, Put together into one datasheet

Notice and Disclaimer

The information, data, and specifications set out in this document (the "Document") are provided "AS IS" and for reference purposes, they shall not be construed as any warranty or authorization, whether express or implied, including but not limited to warranties of accuracy, completeness, merchantability, fitness for a particular purpose, or non-infringement of any third party's intellectual property rights.

Users of this Document are solely responsible for the selection, use, and application of SEMIMENT products, as well as for ensuring the safety of such applications. Users shall comply with all applicable laws, regulations, and requirements related to the use of SEMIMENT products. Any application-related information or support that may be provided by SEMIMENT is for reference only and does not constitute any guarantee or liability.

The resources described in this Document are subject to change without notice. SEMIMENT grants permission to use these resources solely for the development of applications incorporating SEMIMENT products as described herein. Any other reproduction, distribution, or public display of these resources is prohibited without prior written consent. No license, express or implied, is granted under any SEMIMENT intellectual property rights or any third-party intellectual property rights.

You agree to defend, indemnify and hold harmless SEMIMENT and its representatives from and against any claims, damages, costs, losses, or liabilities arising from your use of these resources.

For the latest product information and technical support, please contact SEMIMENT (www.semiment.com).

Copyright © Semiment Technology Co.,Ltd