
Self-Adjusting Hall-Effect Gear Tooth Sensor IC

1. Features

- Gear tooth detection
- Zero speed detection
- Self-adjusting magnetic range
- Short circuit protection
- 3.0V to 24V supply operating range
- -40°C~150°C operating temperature range
- Package: TO-92S

2. Applications

- Camshaft sensor
- Gear tooth sensor
- Wheel speed sensor

3. Description

The SC9314 is a self-adjusting digital output rotary position gear tooth sensor designed for use in automotive camshaft sensing as well as other speed sensing applications.

The SC9314 uses a single Hall plate which is immune to rotary alignment problems. It is designed to be used with a bias magnet south facing the back(non-marked) side of the IC. The bias magnet can be from 100 to 300mT.

The logic recognizes an increasing or decreasing flux density. The output will turn on (Bop) after the flux has reached its peak and decreased by an amount equal to the hysteresis. Similarly the output will turn off (Brp) after the flux has reached its minimum value and increased by an amount equal to the hysteresis.

The device is available in a 3-pin TO-92S package and is lead (Pb) free, with matte tin lead frame plating.



Fig.1 TO-92S Package Outline

CONTENTS

1. Features	1	8. Operating Characteristics	7
2. Applications	1	9. Block Diagram	8
3. Description	1	10. Function Description	8
4. Terminal Configuration	3	11. Gear Tooth Sensing	9
5. Ordering Information	4	12. Typical Application	10
6. Absolute Maximum Ratings	6	13. Package Information "TO-92S"	11
7. ESD Protection	6	14. Revision History	12

4. Terminal Configuration

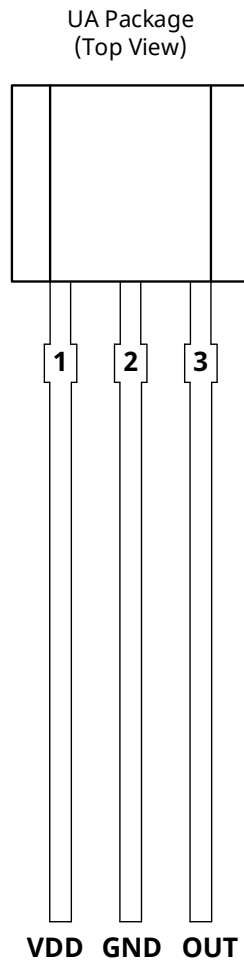


Fig.2 Pin Description

Terminal		Type	Description
Name	Number		
VDD	1	PWR	3.0V~24V power supply
GND	2	Ground	Ground
OUT	3	Output	Open-drain output required a pull-up resistor

5. Ordering Information

Ordering Information	Marking	Class	Ambient, T _A (°C)	Package	Packing	Quantity
SC9314UA-BK	94M	-	-40~150	TO-92S	Bulk	1000ea/bag

Notice and Disclaimer

The information, data, and specifications set out in this document (the "Document") are provided "AS IS" and for reference purposes, they shall not be construed as any warranty or authorization, whether express or implied, including but not limited to warranties of accuracy, completeness, merchantability, fitness for a particular purpose, or non-infringement of any third party's intellectual property rights.

Users of this Document are solely responsible for the selection, use, and application of SEMIMENT products, as well as for ensuring the safety of such applications. Users shall comply with all applicable laws, regulations, and requirements related to the use of SEMIMENT products. Any application-related information or support that may be provided by SEMIMENT is for reference only and does not constitute any guarantee or liability.

The resources described in this Document are subject to change without notice. SEMIMENT grants permission to use these resources solely for the development of applications incorporating SEMIMENT products as described herein. Any other reproduction, distribution, or public display of these resources is prohibited without prior written consent. No license, express or implied, is granted under any SEMIMENT intellectual property rights or any third-party intellectual property rights.

You agree to defend, indemnify and hold harmless SEMIMENT and its representatives from and against any claims, damages, costs, losses, or liabilities arising from your use of these resources.

For the latest product information and technical support, please contact SEMIMENT (www.semiment.com).

Copyright © Semiment Technology Co.,Ltd

6. Absolute Maximum Ratings

(over operating free-air temperature range, unless otherwise noted)

Symbol	Parameter	Test conditions	Min.	Max.	Units
V _{DD}	Power supply voltage	T _J =150°C	-0.5	30	V
V _{OUT}	Output terminal voltage	T _J =150°C	-0.5	30	V
I _{SINK}	Output terminal current sink		-	30	mA
T _A	Operating ambient temperature		-40	150	°C
T _J	Maximum junction temperature		-55	165	°C
T _{STG}	Storage temperature		-65	175	°C
R _{thJA}	Package thermal resistance	Refer to JE5D51-1 standard	-	313	°C/W

Note :

Stresses above those listed here may cause permanent damage to the device. Exposure to absolute maximum rating conditions for extended periods may affect device reliability.

7. ESD Protection

Symbol	Parameter	Test conditions	Min.	Max.	Units
V _{ESD_HBM}	HBM	Refer to AEC-Q100-002E HBM standard, R=1.5kΩ, C=100pF	-8	8	KV
V _{ESD_CDM}	CDM	Refer to AEC-Q100-011C CDM standard	-750	750	V

8. Operating Characteristics

($T_A = -40^{\circ}\text{C} \sim 150^{\circ}\text{C}$, $V_{DD} = 3.0\text{V} \sim 24\text{V}$, unless otherwise noted)

Symbol	Parameter	Test Conditions	Min.	Typ.	Max.	Units
Electrical parameters						
V_{DD}	Operating voltage	$T_J < T_{J(\text{max})}$	3.0	5	24	V
I_{DD}	Operating supply current	$V_{DD} = 3.0\text{V}$ to 24 V	1.0	2.0	3.5	mA
$V_{Q\text{sat}}$	Output saturation voltage	$I_O = 20\text{mA}$, $T_A = 25^{\circ}\text{C}$	-	150	400	mV
I_{QL}	Output leakage current	$V_{DD} < 24\text{V}$	-	-	10	μA
t_{rp}	Response time(include power-on time)	$V_{DD} > 3.0\text{V}$, $f = 1\text{kHz}$	0	-	50	ms
t_r	Output rise time	$R_2 = 1\text{Kohm}$, $C_2 = 20\text{pF}$	-	-	0.5	μs
t_f	Output fall time	$R_2 = 1\text{Kohm}$, $C_2 = 20\text{pF}$	-	-	0.5	μs
f_{cu}	Upper corner frequency	-3dB, single pole	-	20	-	kHz
f_{cl}	Lower corner frequency	-3dB, single pole	-	0	-	Hz
Magnetic Characteristics						
B_{Back}	Pre-induction		-3	-	300	$\text{mT}^{(1)}$
B_{OP}	Turn on hysteresis	$B_{\text{Back}} = 300\text{mT}$	1.0	2.5	4.0	mT
B_{RP}	Turn off hysteresis	$B_{\text{Back}} = 300\text{mT}$	1.0	2.5	4.0	mT
	Linear Region	$V_{DD} = 3.0\text{V}$ to 24V	50	-	300	mT

Note:

(1) $1\text{mT} = 10\text{GS}$

9. Block Diagram

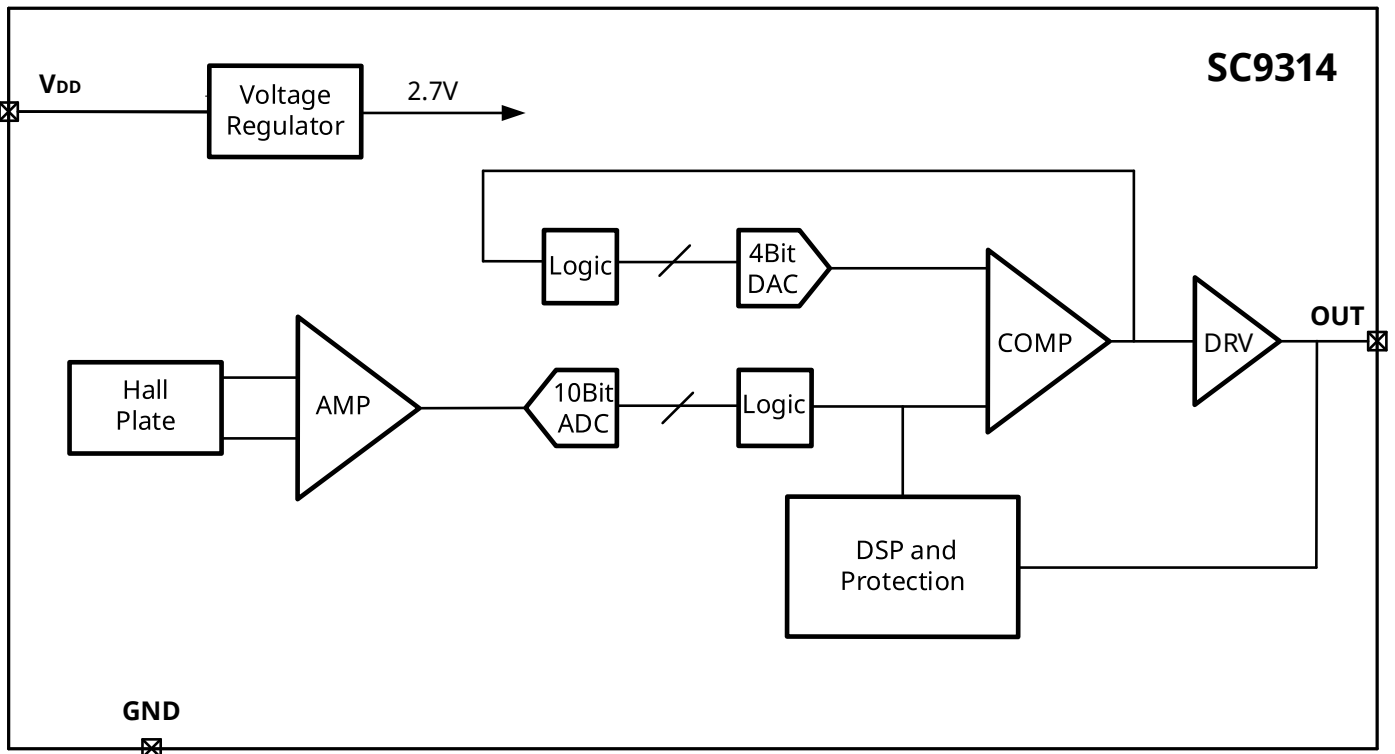


Fig.3 Block Diagram

10. Function Description

In the case of ferromagnetic toothed wheel application, the IC has to be biased by the South pole of a permanent magnet (Typical 300mT). When assembling the sensor system, a magnet as back bias flux from 100mT to 300mT is suggested. Normally the South pole of magnet faces the unbranded side of the IC and the magnet is glued to the back surface (non branded side) of the IC using an adhesive or suitable epoxy. Due to the SC9314's "Self-adjusting" over a wide range of back bias flux, the need for any trimming in the application is eliminated.

At the chip power on state, if the power is raised quickly and the output is reset to the high state whatever the field is. The output will change to low after the flux has reached its minimum value and then increased by an amount equal to the hysteresis. The output will change to high after the flux has reached its peak and then decreased by an amount equal to the hysteresis similarly. However, if the supply is raised slowly, then the reset state is not determined; the output can be either high or low.

It is strongly recommended that an external ceramic bypass capacitor in the range 10nF to 1uF be connected between the supply and ground of the device to reduce external noise. The series resistor in combination with the bypass capacitor creates a filter for EMC pulse.

The pull-up resistor should be chosen to limit the current through the output transistor, without exceeding the maximum continuous output current of the device.

11. Gear Tooth Sensing

In the case of ferromagnetic toothed wheel application, the IC has to be biased and only biased by the South pole of a permanent magnet which should cover both Hall probes

The maximum air gap depends on

- the magnetic field strength (magnet used; pre-induction), and
- the toothed wheel that is used (dimensions, material, etc.)

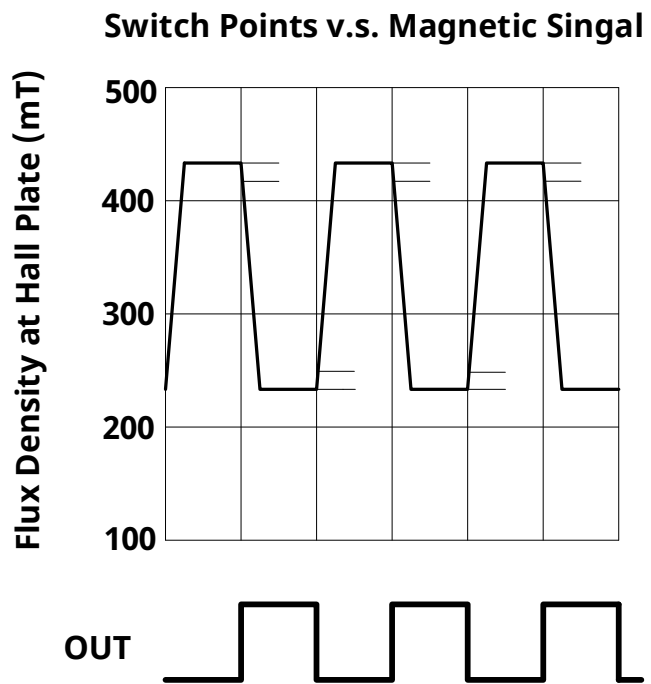
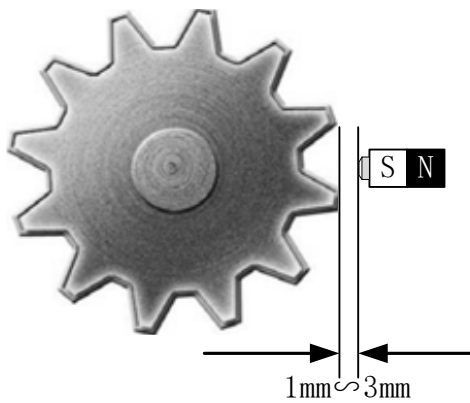


Fig.4 Switch Points versus Magnetic Signal

12. Typical Application

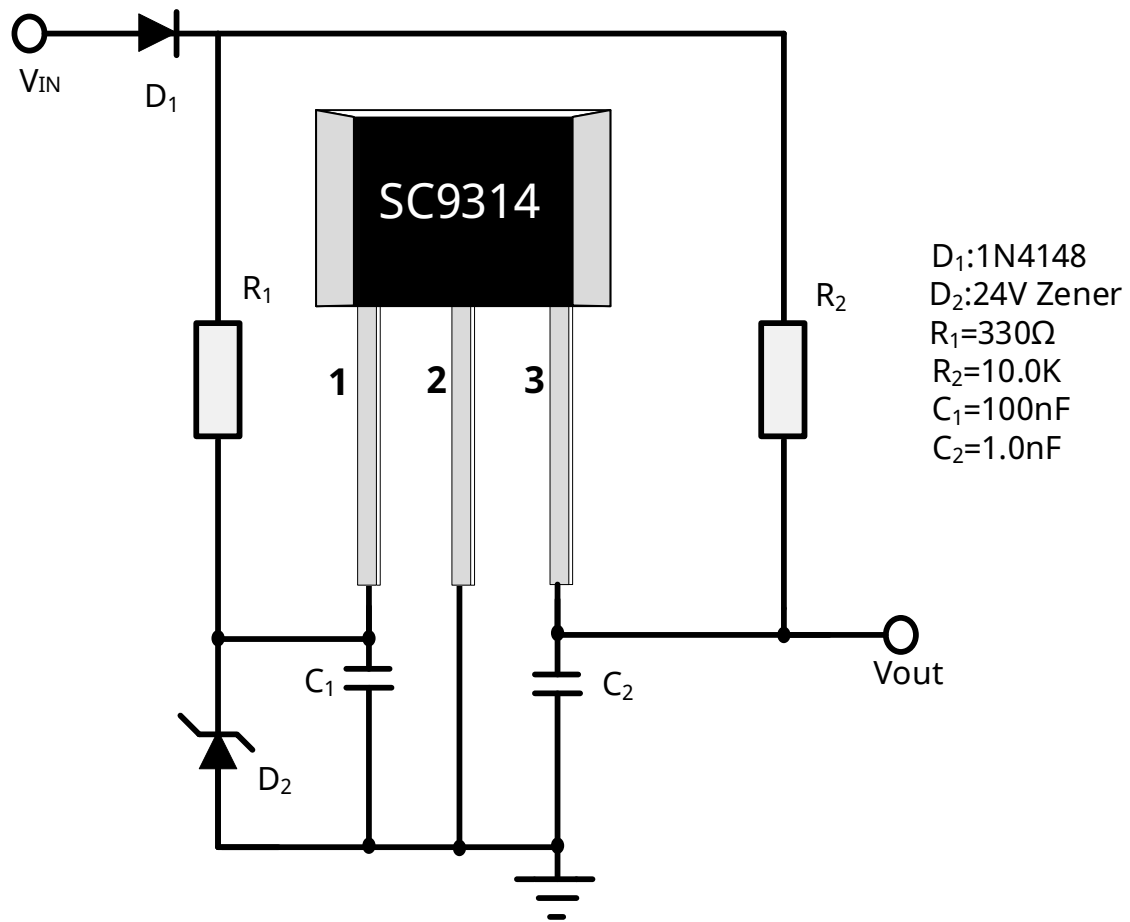
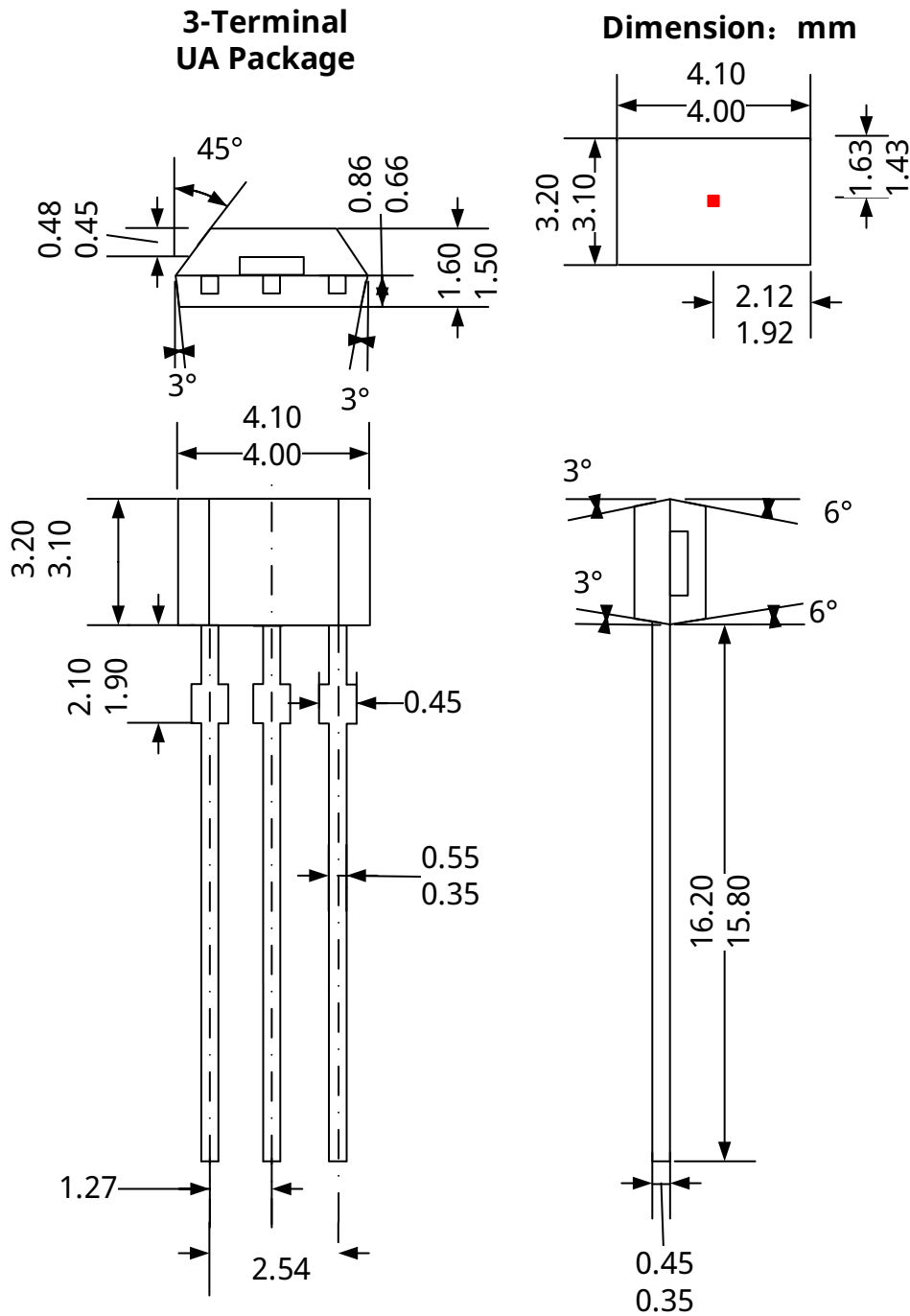


Fig.5 Typical Application Circuit

13. Package Information "TO-92S"



Notes:

1. Exact body and lead configuration at vendor's option within limits shown.
2. Height does not include mold gate flash.
3. The plating thickness is 7-17 μ m.

Where no tolerance is specified, dimension is nominal.

Fig.6 Package Dimension

14. Revision History

Revision	Date	Description
Rev.0.1	2016-05-07	Preliminary datasheet
Rev.2.3	2019-12-18	The final revision of old datasheet
Rev.A1.0	2020-11-19	Unified datasheet format
Rev.A1.1	2024-11-27	Update order information; Update POD dimension

Notice and Disclaimer

The information, data, and specifications set out in this document (the "Document") are provided "AS IS" and for reference purposes, they shall not be construed as any warranty or authorization, whether express or implied, including but not limited to warranties of accuracy, completeness, merchantability, fitness for a particular purpose, or non-infringement of any third party's intellectual property rights.

Users of this Document are solely responsible for the selection, use, and application of SEMIMENT products, as well as for ensuring the safety of such applications. Users shall comply with all applicable laws, regulations, and requirements related to the use of SEMIMENT products. Any application-related information or support that may be provided by SEMIMENT is for reference only and does not constitute any guarantee or liability.

The resources described in this Document are subject to change without notice. SEMIMENT grants permission to use these resources solely for the development of applications incorporating SEMIMENT products as described herein. Any other reproduction, distribution, or public display of these resources is prohibited without prior written consent. No license, express or implied, is granted under any SEMIMENT intellectual property rights or any third-party intellectual property rights.

You agree to defend, indemnify and hold harmless SEMIMENT and its representatives from and against any claims, damages, costs, losses, or liabilities arising from your use of these resources.

For the latest product information and technical support, please contact SEMIMENT (www.semiment.com).

Copyright © Semiment Technology Co.,Ltd